

HD Analog Thermal Camera HS-T080D8

Product Features

- High video quality on HD 1080P
- High accuracy: $\pm 2^{\circ}\text{C}$ [*Note](Optimum distance: within 3 M)
- Built-in buzzer
- Support CoC
- Dry contact output: NC / NO
- 11 mode patterns (including PIP / POP)

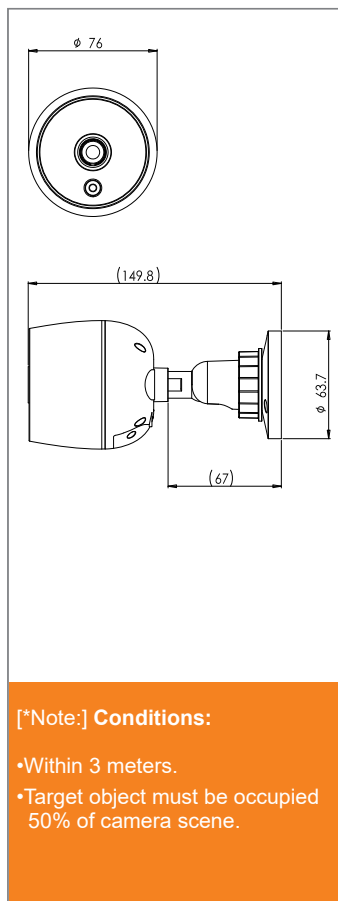
Product Application scenario

- Fire detection
- Fire prevention
- Temperature detection
- Temperature risk management
- Temperature alarm

Specifications



Dimension Unit : mm



Thermal camera		
Lens	Thermal Sensor	Non Cooling type
	Spectral Range/band	7.5–13 μm
	Resolution	64 x 48 @2fps (3,000 pixels)
	Measurement distance	Optimum distance: within 3 M [*Note]
	Field of View (FOV)	55° x35°
	Lens	Fixed lens
	Palette	Full color palette/ 3-Tone color wheels/ Contrast
Measurement	Object detection temperature	-40°C to +300°C (-40°F to 572°F)
	Accuracy	Error $\pm 2^{\circ}\text{C}$ (Center point within 100°C)
Analysis	Auto/Heat map detection	The message column shows the maximum/ minimum temperature value / center point temperature.
	Atmospheric transmission correction	Auto
	Optical lens transmission correction	Auto
	Emissivity correction	Auto
	Temperature Alarm	YES
Optical camera		
Lens	Pick Up Device	1/ 2.8" SONY CMOS
	Resolution	1920(H) x 1080(V) @30fps
	Min. Illumination	0.01 Lux
	Lens	6MM
	Aperture	F:2.0
Standard	Image transmission	AHD or TVI (Optional)
	Protocol	CoC
	Alarm trigger	GPIO dry contact (NC / NO)
	Dimension	$\varnothing 76.3 \times 150\text{mm}$
	Weight	318g