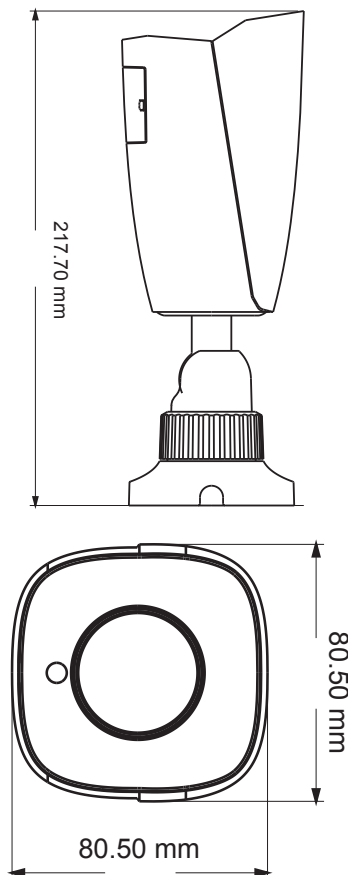




# IP CAMERA HS-T058SG



- Smart H.265 / H.265+ / H.265 / Smart H.264 / H.264+ / H.264 / MJPEG
- 2MP (1920 × 1080)
- 30 ~ 50 M IR night view distance
- 3 DNR, TWDR, HLC, BLC, Digital Defog, Smart IR
- ICR auto switch, true day / night
- Built-in micro SD card slot, up to 128GB
- Support ROI coding
- Support three streams
- IP67 ingress protection
- Intelligent analytics: abnormal video signal detection, line crossing detection, region intrusion detection, face detection, face capture

**RoHS** CE FC





## HS-T058SG

Camera	
Image Sensor	1 / 2.8 " CMOS
Image Size	1920 × 1080
Electronic Shutter	1 / 25 s ~ 1 / 100,000 s
Min. Illumination	0.005 lux @F1.6,AGC ON; 0 lux with IR 0.0028 lux @F1.2,AGC ON; 0 lux with IR
Lens	2.8 mm @F1.6
Horizontal view Angle	108°
IR Distance	20~30 m
WDR	120 dB
Day & Night	ICR auto switch
BLC	YES
HLC	YES
Digital Defog	YES
Digital DNR	3 DNR
Image	
Video Compression	Smart H.265 / H.265+ / H.265 / Smart H.264 / H.264+ / H.264 / MJPEG
H.264 Compression Standard	Baseline Profile / Main Profile / High Profile
Resolution	1080P ( 1920 × 1080 ), 720P ( 1280 × 720 ), D1( 704 × 480), 480 × 240, CIF ( 352 × 240 )
Main Stream (S1)	1080P / 720P @30fps
Sub Stream (S2)	720P / D1 / CIF @30fps
Third Stream (S3)	D1 / 480 x 240 / CIF @30fps
Bit Rate	64 Kbps ~ 6 Mbps
Bit Rate Type	VBR / CBR
Image Settings	ROI, Saturation, Brightness, Chroma, Contrast, Wide Dynamic, Sharpen, NR, etc. adjustable through client software or web browser
ROI	Each ROI to be configured separately
Audio	
Audio Compression	G.711A / U
Two-way audio	-
Interfaces	
Network	RJ45
Video Output	-
Audio line in	1CH
Audio line out	-
Alarm Input	-
Alarm Output	-
Storage	
SD card	Built-in micro SD card slot; up to 128GB
Network remote storage	Yes
Hardware Reset	Yes

Intelligent Analytics (Smart Events)	
Perimeter Protection	Line crossing, region entrance/exiting/intrusion (human/motor vehicle / non-motor vehicle classification)
Target Counting	Line crossing human /motor vehicle/non-motor vehicle counting
Exception Detection	Scene change, video blur and video color cast detection
Face Detection	Face detection and face capture
General Intelligence	Crowd density detection, heat map, object abandoned / missing detection (These are being developed and coming soon.)
Functions	
Remote Monitoring	Web browsing, CMS remote control
Online Connection	Support simultaneous monitoring for up to 10 users Support multi-stream real time transmission
Network Protocol	UDP, IPv4, IPv6, DHCP, NTP, RTSP, PPPoE, DDNS, SMTP, FTP, SNMP, HTTP, 802.1x, UPnP, HTTPs, QoS
Interface Protocol	ONVIF, GB-T/28181-2011
Smart Alarm	Motion detection; SD card error; SD card full
General function	Watermark, IP address filtering, video mask, heartbeat, password protection, non-photosensitive switch, image distortion correction
PoE	Yes, IEEE802.3af
Others	
Power Supply	DC12V / PoE
Power Consumption	< 9.5W
Operating Environment	- 30 °C ~ 60 °C (-22° F~140° F) Humidity: less than 95 % (non-condensing)
Dimensions	217.7 x 80.5 x 80.5 mm
Weight	Approx. 670g
Installation	Ceiling mounting (wall mounting available with the junction box and bracket)
Ingress Protection	IP67
Accessories	