

HI SHARP Brand Series

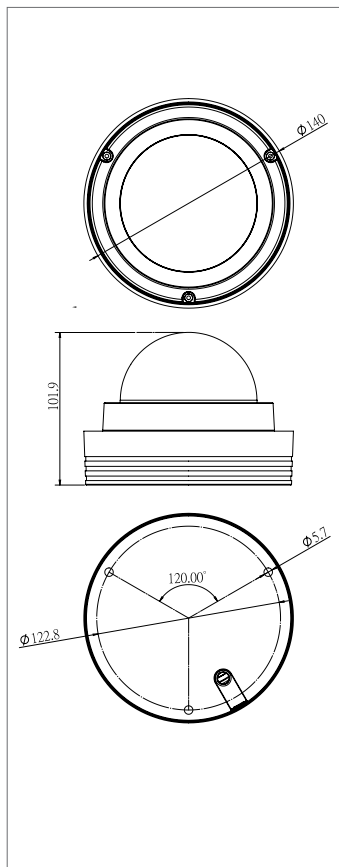
HS-4IN1-D102DH

Product Features

- High video quality on HD 5MP
- 30M IR distance
- Built-in IR Cut Filter, accurate focus for Day & Night.
- HD video transmission without video quality loss & delay
- Long transmission distance
- 2D DNR
- The same connection structure as original analogue system without cable(Coax / UTP) changing.
- Motorized Lens: 2.8 mm~12 mm
- Support CoC (UTC) to operate OSD menu
- Transmits audio over the coaxial cable (TVI mode)



Dimension (mm)



Specifications

| HS-4IN1-D102DH | HS-4IN1-D102DH |
|-----------------------|---|
| Pick Up device | 1/2.5" CMOS : 5.0 Mega |
| Solution | TP3815 + JX-K05 |
| Resolution | 2592(H) x 1944(V) |
| Video Output | AHD / CVBS / TVI / CVI |
| S/N Ratio | More than 60 dB |
| Min. Illumination | 0.01Lux |
| Lens | EVF 2.8~12mm |
| Camera Control | CoC |
| Electronic Shutter | Auto |
| IR Distance | 30M |
| WDR | Yes |
| DNR | 2D DNR |
| Maximum FPS | 30fps(NTSC) / 25fps(PAL) |
| Audio line in | Built-in MIC x 1 |
| Audio line out | Support audio over coaxial (TVI mode) not support 3.5mm AUX line out |
| Power Source | DC12V \pm 10% / 1A |
| Operating Temperature | -10° C ~ 50° C (14° F ~ 122° F) |
| Dimension (mm) | $\phi 140 \times 101.9$ |
| Ingress Protection | IP68 |