

HI SHARP Brand Starlight Series

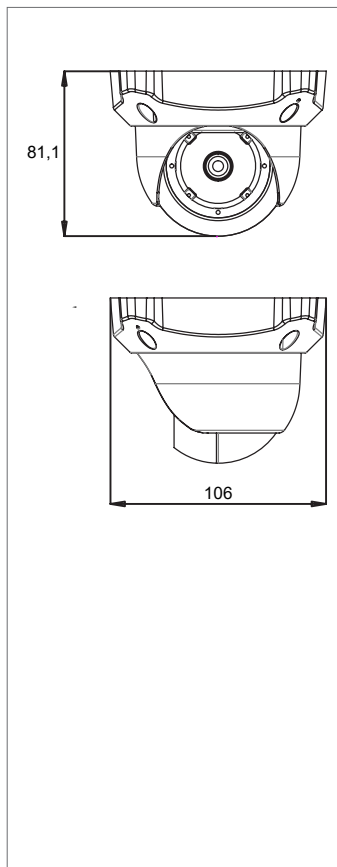
HS-4IN1-D073DL

Product Features

- High video quality on HD 1080P
- HD video transmission without video quality loss & delay
- Long transmission distance
- The same connection structure as original analogue system without cable (Coax / UTP) changing
- Board lens: 3.6 mm / 6 mm
- 2DNR / 3DNR
- Support CoC (UTC) to operate OSD menu
- Starlight illumination



Dimension (mm)



Specifications

Model	HS-4IN1-D073DL
Pick Up device	1/2.8" SONY CMOS : 2.0 Mega
Solution	NVP2441+SONY307
Resolution	1920(H) x 1080(V)
Video Output	AHD / CVBS / TVI / CVI
S/N Ratio	More than 62 dB
Min. Illumination	0.01Lux
Lens	Board 3.6 mm / 6 mm
Camera Control	CoC
Electronic Shutter	Auto 1/60 (1/50) ~ 1/100,000 sec / FLK
IR Distance	20M~30M
WDR	Yes
DNR	2DNR / 3DNR
Maximum FPS	30fps(NTSC) / 25fps(PAL)
Power Source	DC12V ± 10% / 1A
Operating Temperature	-10° C ~ 50° C (14° F ~ 122° F)
Dimension (mm)	Ø 106 x 81
Ingress Protection	IP66