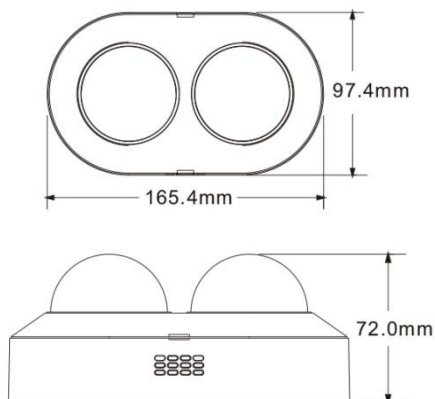




IP CAMERA

HS-D137WE



- H.265+ / H.265 / H.264+ / H.264 / MJPEG
- 2688 × 1520 (x 2)
- ICR auto switch, true day / night vision
- 20~30m IR distance
- 3D DNR, WDR, HLC, BLC, Defog and ROI coding
- Support 2-split screen preview
- Built-in micro SD card slot, up to 512GB
- DC12V/PoE power supply
- IP66 & IK10 ingress protection
- Support three streams
- Support P2P function
- Support dual-system backup
- Multiple smart events can be enabled at the same time.



HS-D137WE

Camera			
Image Sensor	1 / 3 " CMOS x 2		
Image Size	2688 x 1520 (x 2)		
Electronic Shutter	1 / 3 s ~ 1 / 100,000 s		
Min. Illumination	0.005 lux @F1.6, AGC ON 0 lux with IR on		
Lens	Board 2.8mm @F1.6		
Iris Type	Fixed Iris		
View Angle	Horizontal: 101°; Vertical: 55°; Diagonal: 122°		
IR Distance	20~30m		
WDR	120 dB		
BLC	HLC	Defog	Digital NR
YES	YES	YES	3D DNR
S/N Ratio	≥ 50dB		
Angle Adjustment	Pan: -90°~90°; Tilt:0°~65°; Rotation: 0°~355°		
Image			
Video Compression	Main stream : H.265+ / H.265 / H.264+ / H.264 Sub / Third stream : H.265+ / H.265 / H.264+ / H.264 / MJPEG		
H.264 Compression Standard	Baseline Profile / Main Profile / High Profile		
Resolution	4MP(2688x1520), 2K(2560x1440), 3MP(2304x1296), 1080P, 720P, D1, VGA(640x480), 640x360, CIF, 480x240		
Main Stream (S1)	4MP / 2K / 3MP / 1080P (60Hz:1~30fps ; 50Hz:1~25fps)		
Su Stream (S2)	720P / D1 / VGA / 640x360 / 480x240 / CIF (60Hz:1~30fps ; 50Hz:1~25fps)		
Third Stream (S3)	D1 / CIF / 480x240 (60Hz:1~30fps ; 50Hz:1~25fps)		
Bit Rate	64 Kbps ~ 8 Mbps		
Bit Rate Type	VBR / CBR		
Image Settings	ROI, Saturation, Brightness, Hue, Contrast, Wide Dynamic, Sharpness, Image, NR, etc. (adjustable through client software or web browser)		
ROI	YES		
Audio			
Audio Compression	G.711 A/U		

Audio in	1 CH audio input ; 2 CH Built-in MICs			
Audio out	1 CH audio output ; 1 CH Built-in Speaker			
Interfaces				
Network	RJ45, 10/100M			
Alarm Input	2 CH alarm input			
Alarm Output	2 CH alarm output			
Storage	Built-in micro SD card slot; up to 512GB			
Reset	Yes			
Functions				
Remote Monitoring	Web browser / NVR / NVMS2.0 / APP			
Web Browser	Chrome89.0+/Edge89.0+/Firefox87.0+/ Safari14.0+			
Online Connection	Live View for up to 10 clients			
Network Protocol	UDP, IPv4, IPv6, DHCP, NTP, RTSP, RTP, RTCP, RTMP, PPPoE, DDNS, SMTP, FTP, 802.1x, SNMP, UPnP, HTTP, HTTPS, HTTP POST, P2P, QoS			
Interface Protocol	ONVIF			
Smart Alarm	Motion detection, SMD, SD card error, SD card full, IP address conflict, network disconnection, audio alarm			
General function	Watermark, video mask, heartbeat, image distortion correction, corridor pattern, disarming, ANR, cloud upgrade			
Security	Video encryption, firmware encryption, HTTPS encryption, configuration encryption, illegal login lock, IP address filtering, 802.1x authentication, basic and digest authentication for HTTP/RTSP			
PoE	YES (IEEE802.3af)			
Intelligent Analytics				
Smart Event	Line crossing/region intrusion/entrance/exiting (human/vehicle classification), abandoned/missing object detection, loitering detection, illegal parking detection			
Statistics	Target counting by line/area, heat map			
Exception Detection	Scene change, video blur and abnormal color detection, audio exception			
Face Detection	Face detection and face capture			
Others				
Power Supply	DC 12V / PoE			
Power Consumption	< 9.5W			
Operating Environment	- 10 ° C ~ 50 ° C (14° F ~ 122° F) Humidity: less than 85 % (non-condensing)			
Dimensions	165.4 x 97.4 x 72mm			
Weight	Approx. 755 g			
Ingress Protection	IP66 & IK10			
DORI Distance				
Lens	Detect	Observe	Recognize	Identify
2.8mm	58m (191ft)	23m (76ft)	12m (38ft)	6m (19ft)