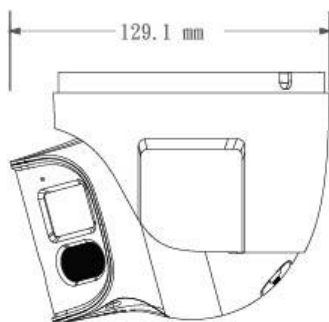
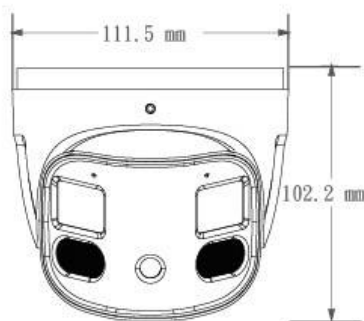




IP CAMERA

HS-D144WC



- H.265+ / H.265 / H.264+ / H.264 / MJPEG
- 8MP (4640 × 1760)
- ICR auto switch, true day / night vision
- 30m IR & 20m white light distance
- 3D DNR, DWDR, HLC, BLC, Defog and ROI coding
- Support smart supplement light
- Built-in micro SD card slot, up to 256GB
- DC12V/PoE power supply
- IP66 ingress protection
- Support three streams
- Support P2P function
- Support dual-system backup
- Multiple smart events can be enabled at the same time.



HS-D144WC

Camera			
Image Sensor	1 / 2.7 " Progressive Scan CMOS x 2		
Image Size	4640x 1760		
Electronic Shutter	1 / 3 s ~ 1 / 100,000 s		
Min. Illumination	0.0032 lux @F1.6, AGC ON 0 lux with illuminate on		
Lens	Board 2.8mm @F1.6		
Iris Type	Fixed Iris		
View Angle	Horizontal : 180° Vertical : 66°		
IR Distance	~30m		
White Light Distance	~20m		
WDR	BLC	HLC	Defog
Digital WDR	YES	YES	YES
S/N Ratio	≥ 50dB		
Digital NR	3D DNR		
Angle Adjustment	Pan: 0°~360°; Tilt:0°~75°;Rotation: 0°~360°		
Image			
Video Compression	Main stream : H.265+ / H.265 / H.264+ / H.264 Sub / Third stream : H.265+ / H.265 / H.264+ / H.264 / MJPEG		
H.264 Compression Standard	Baseline Profile / Main Profile / High Profile		
Resolution	8MP(4640x1760), 6MP(3632x1632), 4MP(3200x1200), 2MP(2034x864), 2048x768, 1600x608, 1200x448, 960x368, 640x240		
Main Stream (S1)	8MP/ 6MP/ 4MP / 2MP (60Hz:1~30fps ; 50Hz:1~25fps)		
Su Stream (S2)	2048x768, 1600x608, 1200x448 (60Hz:1~30fps;50Hz:1~25fps)		
Third Stream (S3)	1200x448, 960x368, 640x240 (60Hz:1~30fps;50Hz:1~25fps)		
Bit Rate	64 Kbps ~ 10 Mbps		
Bit Rate Type	VBR / CBR		
Image Settings	ROI, Saturation, Brightness, Hue, Contrast, Wide Dynamic, Sharpness, Image, NR, etc. (adjustable through client software or web browser)		
ROI	YES		

Audio				
Audio Compression	G.711 A/U			
Audio in	1 CH audio input ; 2 CH Built-in MICs			
Audio out	1 CH audio output ; 1 CH Built-in Speaker			
Interfaces				
Network	RJ45, 10/100M			
Alarm Input	1 CH alarm input			
Alarm Output	1 CH alarm output			
Storage	Built-in micro SD card slot; up to 256GB			
Reset	Yes			
Functions				
Remote Monitoring	Web browser / NVR / NVMS2.0 / APP			
Web Browser	Chrome89.0+/Edge89.0+/Firefox87.0+/ Safari14.0+			
Online Connection	Live View for up to 10 clients			
Network Protocol	UDP, IPv4, IPv6, DHCP, NTP, RTSP, RTP, RTCP, RTMP, PPPoE, DDNS, SMTP, FTP, 802.1x, SNMP, UPnP, HTTP, HTTPS, HTTP POST, P2P, QoS			
Interface Protocol	ONVIF			
Smart Alarm	Motion detection, SMD, SD card error, SD card full, IP address conflict, network disconnection, sensor alarm, audio alarm, light alarm			
General function	Watermark, video mask, heartbeat, smart supplement light, ANR, cloud upgrade			
Security	Video encryption, firmware encryption, HTTPS encryption, configuration encryption, illegal login lock, IP address filtering, 802.1x authentication, basic and digest authentication for HTTP/RTSP			
PoE	YES (IEEE802.3af)			
Intelligent Analytics				
Smart Event	Line crossing/region intrusion/entrance/exiting (human/vehicle classification), Video Metadata, abandoned/missing object detection, loitering detection, illegal parking detection			
Statistics	Target counting by line/area, heat map			
Exception Detection	Scene change, video blur and abnormal color detection, audio exception			
Face Detection	Face detection and face capture			
Others				
Power Supply	DC 12V / PoE			
Power Consumption	< 10.2W			
Operating Environment	- 10 ° C ~ 50 ° C (14 ° F ~ 122 ° F) Humidity: less than 85 % (non-condensing)			
Dimensions	Φ111.5 x 102.2 mm			
Weight	Approx. 719 g			
Ingress Protection	IP66			
DORI Distance				
Lens	Detect	Observe	Recognize	Identify
2.8mm	60m (196ft)	24m (79ft)	12m (39ft)	6m (20ft)